

Bicycle Parking Guidelines

A summary of recommendations from the Association of Pedestrian and Bicycle Professionals

Bicycle Parking Design

- Required spaces shall be at least 2 feet by 6 feet.
- An access aisle of at least 5 feet shall be provided in each facility.
- Racks shall be situated to allow a minimum of 2 feet between adjacent bike parking stalls.
- Spaces shall have a vertical clearance of at least 80 inches.

Bicycle Rack Design

Structures that require a user-supplied locking device:

- must accommodate U-shaped locking devices;
- support the bike frame at two points;
- be securely anchored to the ground or the building structure; and
- be designed and maintained to be mud and dust free.

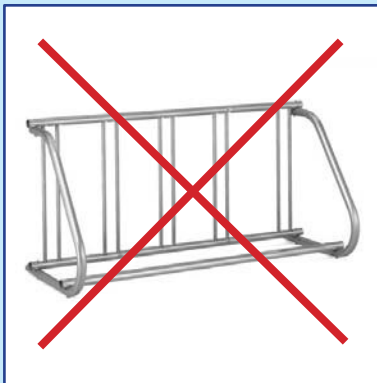
Bicycle Rack Location

- Racks should be located in a clearly designated safe and convenient location.
- Racks should be designed and located to be harmonious with the surrounding environment.
- Racks should be at least as convenient as the majority of auto parking spaces provided.

To learn more about bicycle parking guidelines, visit the Association of Pedestrian and Bicycle Professionals at: www.apbp.org.

These bicycle racks do NOT meet the design guidelines:

Grid or Fence Style Racks



Wave or Ribbon Style Racks



These bicycle racks DO meet the design guidelines:

Inverted-U Style Racks



Angled Wave Style Racks



Freestanding Style Racks



The above images are examples only. NCWRPC does not endorse any particular bicycle rack manufacturers.

If you have questions about whether a particular bicycle parking rack you are considering using meets these requirements, please contact NCWRPC planner **Fred Heider**, AICP at fheider@ncwrpc.org.

PLACEMENT OF BICYCLE PARKING RACKS

RACK PLACEMENT

RULES:

5' from:

Fire hydrant
Crosswalk

4' from:

Loading zone
Bus stop
Bus shelter
Bus bench

Min. 2', Rec. 3' from:

Curb

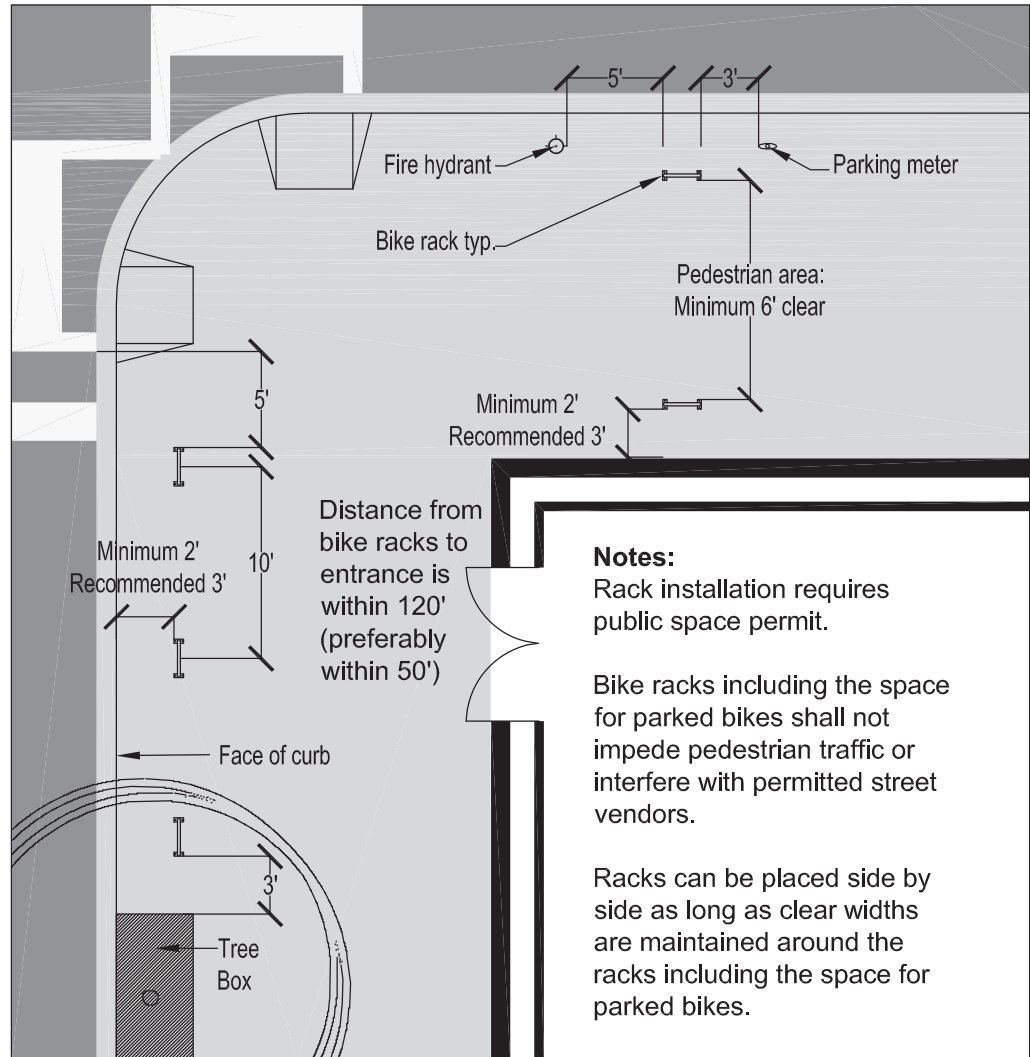
3' from:

Parking meter
Newspaper rack
US mailbox
Light pole
Sign pole
Driveway
Tree space
Trash can
Other street furniture
Other sidewalk obstructions

WALL SETBACKS

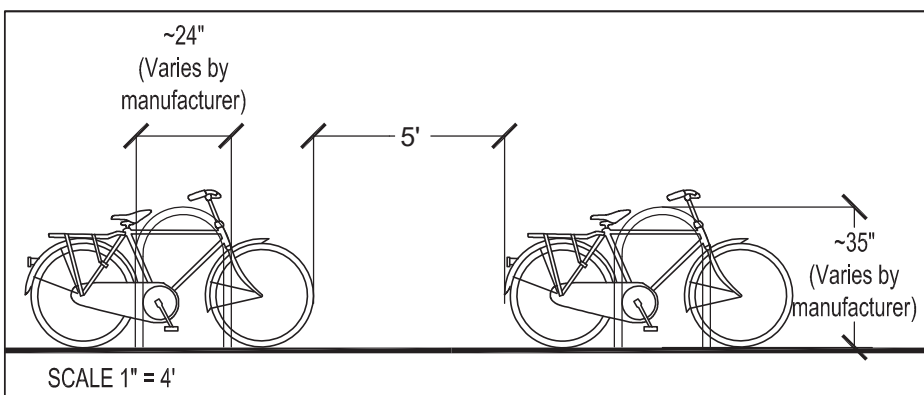
For racks set parallel to a wall:
Min. 24", Rec. 36"

For racks set perpendicular to a wall:
Min. 28", Rec. 36"



SCALE 1" = 10'

SIDE VIEW



SIDE BY SIDE RACKS:

